

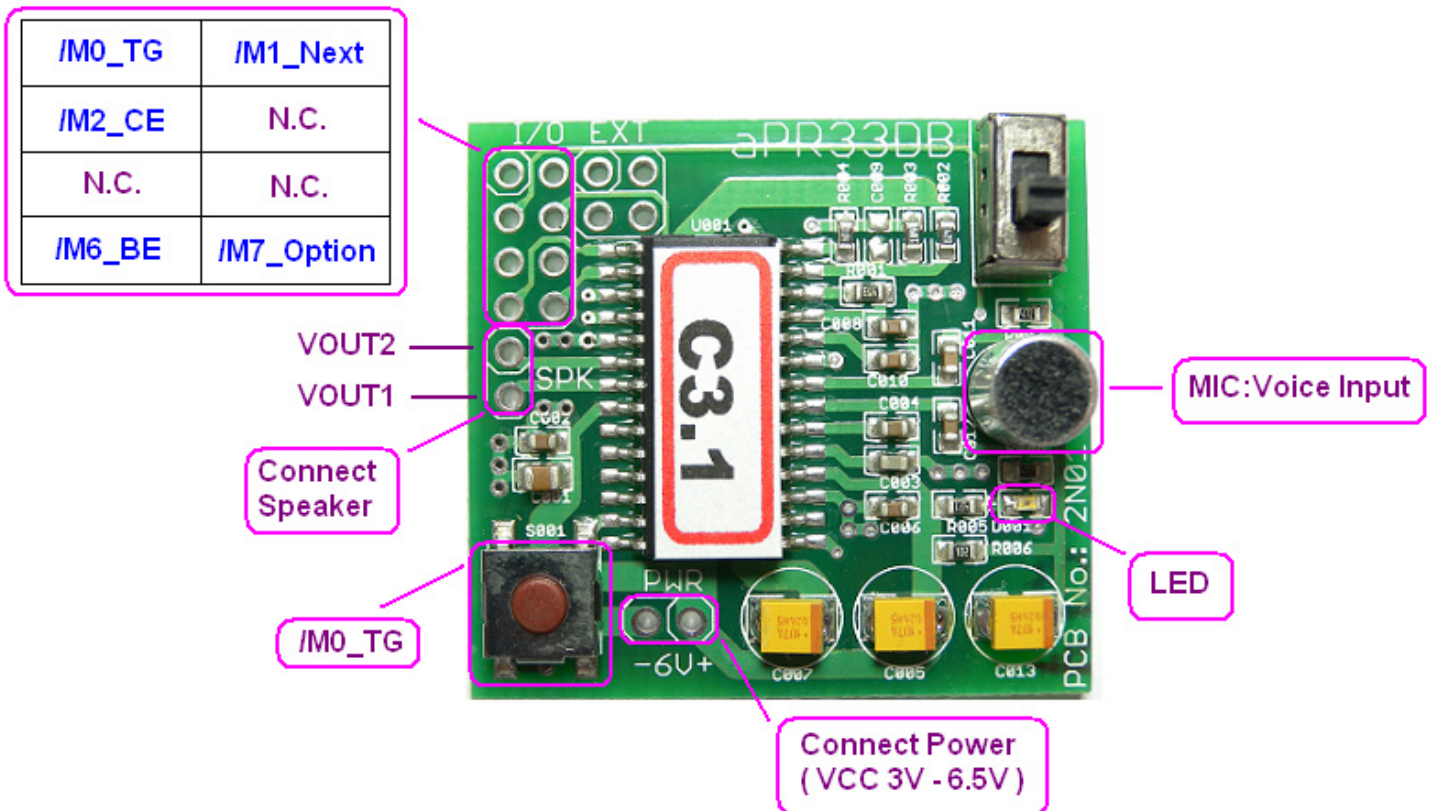
## aPR33AxDBS-C3.1 (Tape mode)

### Demo Board User Guide

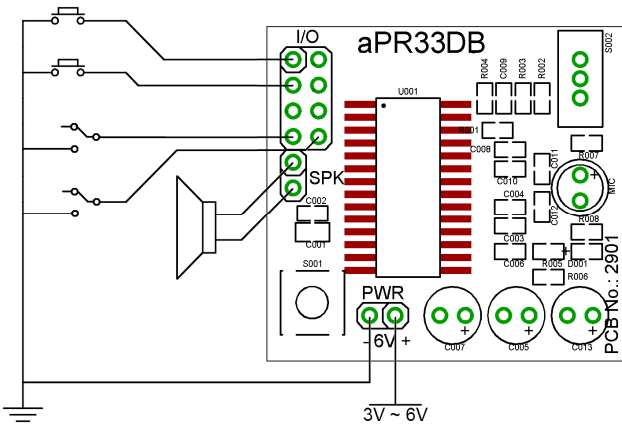
aPR33AxDBS-C3.1 is suitable for aPR33A3, 2 chips with supporting Tape mode manages messages.

■ aPR33AxDBS –C3.1 Function :

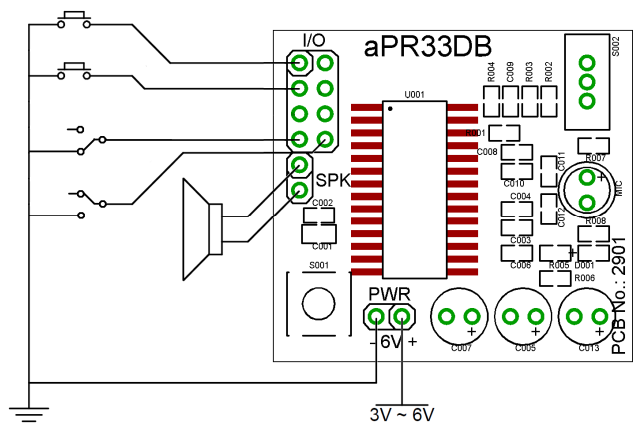
PCB size : 51 x 39 mm



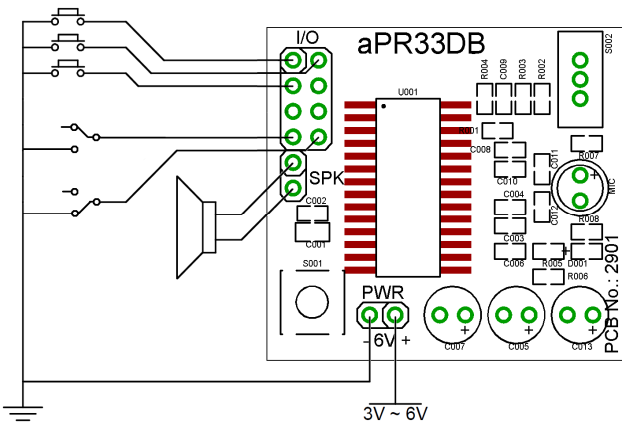
➤ If needs Line- In circuit application, please visit <http://www.aplusinc.com.tw> for datasheet.



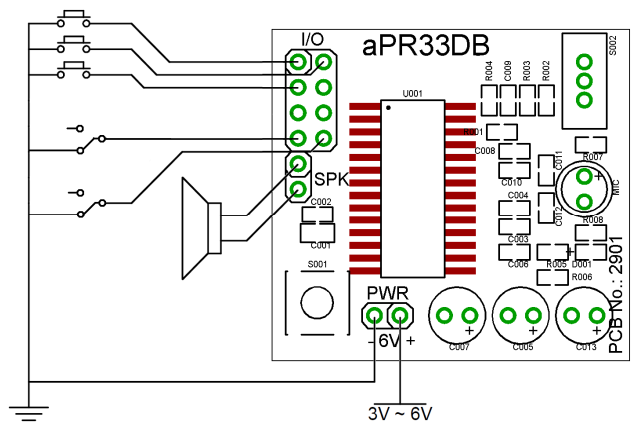
⊙ Auto Rewind option & Beep is ON.



⊙ Auto Rewind option & Beep is OFF.



⊙ Non-Auto Rewind option & Beep is ON.



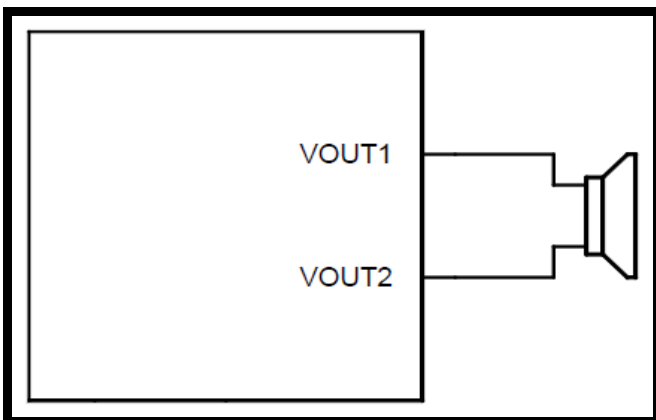
⊙ Non-Auto Rewind option & Beep is OFF.

■ **VOICE OUTPUT**

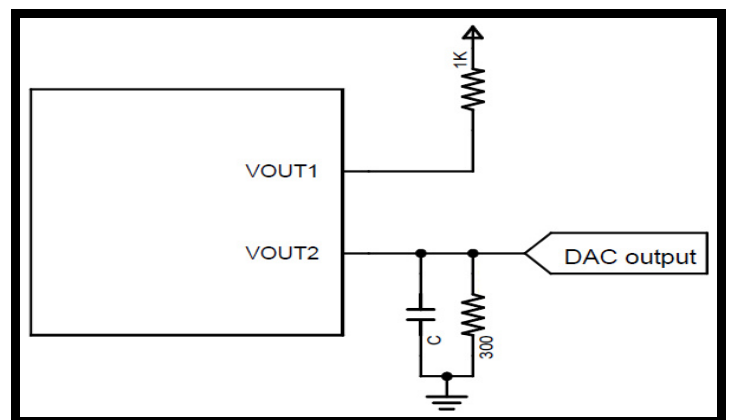
The aPR33AxDBS support 2 voice output mode, PWM and DAC. ( Default : PWM )

The PWM mode use VOUT1 and VOUT2 pin to drive speaker.

The DAC mode use VOUT2 pin to connect your transistor or amplifier.



(A) PWM



(B) DAC

⊙ For more DAC application, Please visit <http://www.aplusinc.com.tw> for data sheet.

**Ver. 3**

Delete aPR33A1 data.

---

**Ver. 2**

Rename aPR33AxDB-C3.1S to aPR33AxDBS-C3.1

---

**Ver. 1**

Original version aPR33AxDB-C3.1S User Guide

---